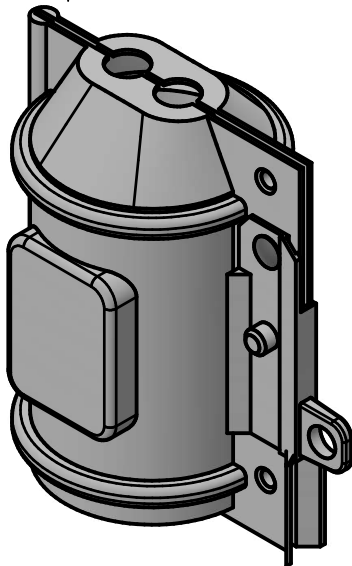
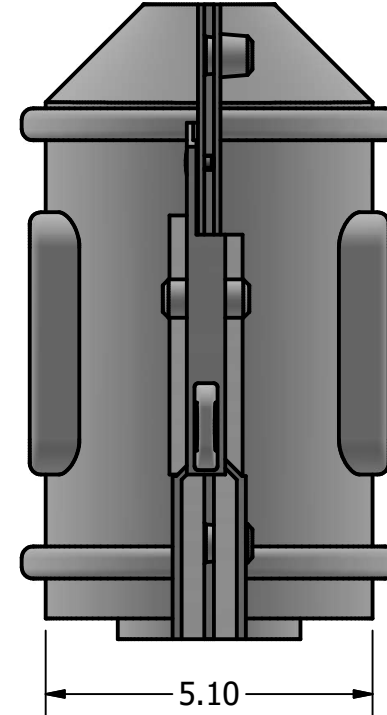


FLIP CLOSURE



| Note | |
|--------------------|--------------------|
| Min. Shed Diameter | Max. Shed Diameter |
| 2.5 | 5.0 |

| | |
|----------------------------|------------|
| DRAWN BY DYLAN BOTSFORD | 10/13/2023 |
| SCALE | 1:3 |
| WEIGHT | 1.3 LBS |
| MATERIAL | ZEROFLAME™ |

PROPRIETARY AND CONFIDENTIAL
THE INFORMATION CONTAINED IN THIS
DRAWING IS THE SOLE PROPERTY OF
CUSTOM COATING INNOVATIONS AND
ZEROFLAME LLC. ANY REPRODUCTION IN
PART OR AS A WHOLE WITHOUT THE WRITTEN
PERMISSIONS OF CUSTOM COATING INNOVATIONS
AND ZEROFLAME LLC IS PROHIBITED.

ZEROFLAME® MADE BY CCI
11 PREMIER DR - BELLEVILLE, IL 62220

TITLE
ZF-BCOVM-SXFG

DESCRIPTION
STANDARD MEDIUM BUSHING COVER W/ FLIP CLOSURE

| | | | |
|-----------|----------|------------------------------|--------------|
| SIZE A | REV 1 | DWG NO ZF-BCOVM-SXFG V1.0 | SHEET 1 OF 1 |
|-----------|----------|------------------------------|--------------|