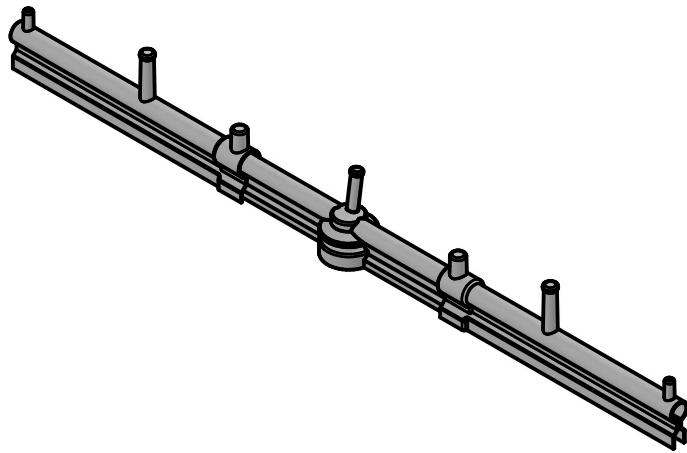
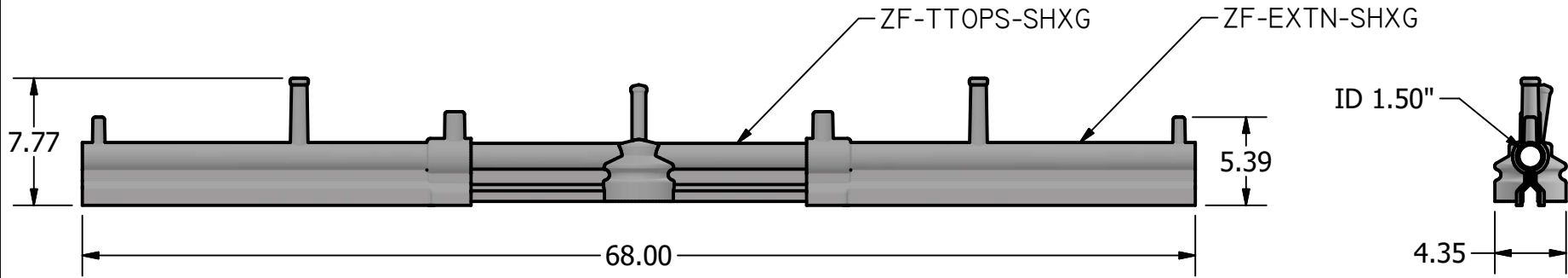




Kit Contains:	
PART NUMBER	QTY
ZF-EXTN-SHXG	2
ZF-TTOPS-SHXG	1



Note:
Fits following ANSI Class Line Post Tie Top Insulators:
55-1, 55-2, 55-3

DRAWN BY DYLAN BOTSFORD	10/2/2023
SCALE	1:10
WEIGHT	4.2 LBS
MATERIAL	ZEROFLAME™

PROPRIETARY AND CONFIDENTIAL
THE INFORMATION CONTAINED IN THIS
DRAWING IS THE SOLE PROPERTY OF
CUSTOM COATING INNOVATIONS AND
ZEROFLAME LLC. ANY REPRODUCTION IN
PART OR AS A WHOLE WITHOUT THE WRITTEN
PERMISSIONS OF CUSTOM COATING INNOVATIONS
AND ZEROFLAME LLC IS PROHIBITED.

ZEROFLAME® MADE BY CCI
11 PREMIER DR - BELLEVILLE, IL 62220

TITLE
ZF-TTOPS-KHXG

DESCRIPTION
SMALL TIE TOP INSULATOR COVER KIT

SIZE A	REV 1	DWG NO ZF-TTOPS-KHXG V1.0	SHEET 1 OF 1
-----------	----------	------------------------------	--------------