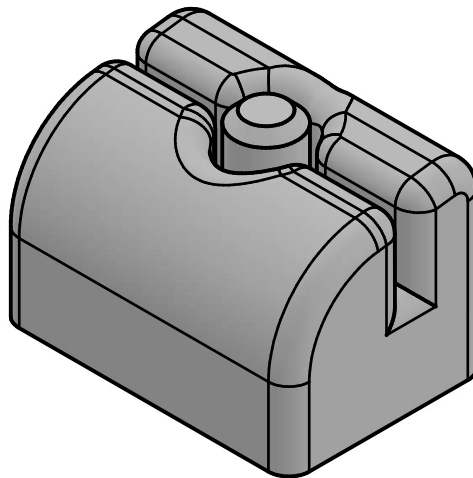
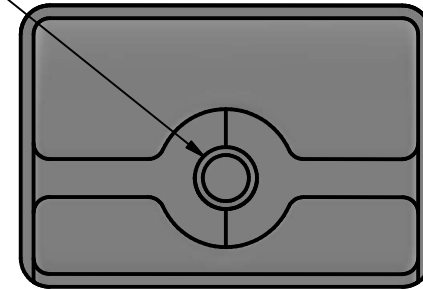


Fits Lightning/Surge Arresters  
brackets with a 1/2" mounting bolt



DRAWN BY DYLAN BOTSFORD	10/3/2023
SCALE	1:1
WEIGHT	.2 LBS
MATERIAL	ZEROFLAME™

**ZEROFLAME® MADE BY CCI**  
11 PREMIER DR - BELLEVILLE, IL 62220

TITLE  
ZF-LABCAP-SXXG

DESCRIPTION  
LIGHTNING/SURGE ARRESTER BRACKET CAP

PROPRIETARY AND CONFIDENTIAL  
THE INFORMATION CONTAINED IN THIS  
DRAWING IS THE SOLE PROPERTY OF  
CUSTOM COATING INNOVATIONS AND  
ZEROFLAME LLC. ANY REPRODUCTION IN  
PART OR AS A WHOLE WITHOUT THE WRITTEN  
PERMISSIONS OF CUSTOM COATING INNOVATIONS  
AND ZEROFLAME LLC IS PROHIBITED.

SIZE	REV	DWG NO
A	1	ZF-LABCAP-SXXG V1.0

SHEET 1 OF 1